

MST 1-PHASE SAFETY TRANSFORMER

P: 800VA IN: 230/400VAC OUT: 24VAC

Single-phase safety transformer
800 VA
Isolation class T 40/B
Other voltages on request.

[Link to Product](#)**Illustration**

Product may differ from Image

Approvals**Input**

Input voltage	230/400 V AC
Frequency	50...60 Hz
Input current	3.5 A (230 V AC); 2 A (400 V AC)
Inrush current	50 A (230 V AC); 29 A (400 V AC)
Short-circuit current	219 A (110 V AC)

Output

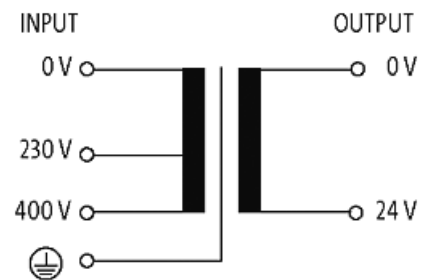
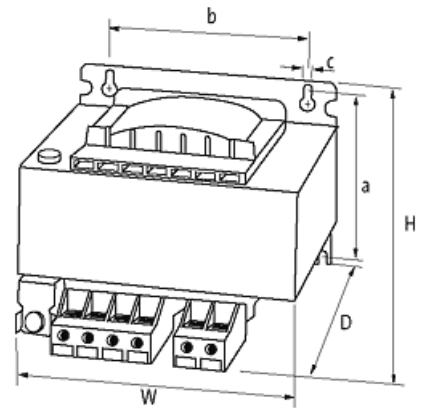
Output voltage	24 V AC (SELV)
Output rating	800 VA

General data

Standards	EN 61558-1, EN 61558-2-6, EN 62041 category 0
Test isolation voltage	4 kV (prim./sec.)
Mounting method	Key-hole mounting
Temperature range	-20...+40 °C (storage temperature -40...+80 °C)
Dimensions H×W×D	136.3×150×149 mm
Fixing centers a×b×c	107.5×122×7 mm
Drill hole Ø	7×11 mm

Commercial data

country of origin	CZ
customs tariff number	85043180
EAN	4048879078573
eClass	27031302
Packaging unit	1

Sketch

Product may differ from Image